



LivePoint Kiosk

Hi-tech for Rugged Environments

The LivePoint features advanced interactive technology and multiple data collection options, packed in a ruggedized stainless steel enclosure specially designed for harsh weather environments.

- Durable and built for 24/7 operation in harsh environments
- 10-inch ActiveView™ or ActiveTouch™ display
- VoIP with Advanced Noise Cancellation Technology
- Weather-resistant speaker and microphone(s)
- Wide-angle Pinhole Camera
- Illuminated Call Button
- Multiple I/O ports for controlling connected equipment
- Wireless network and WiFi options
- Flexible configuration options: Barcode scanner, Biometrics, Ticket Printer, ID Scanner, HID Prox Reader, Mag Stripe Card Reader, and more
- Easy integration into IT infrastructure



Accommodates a wide variety of front-accessible devices.



Matching heavy-duty bases in both truck-height and walk-up height.



Rugged, durable, and ready for the harshest environments.



The LivePoint enables user interaction and seamless data collection in environments where a hardwearing, durable kiosk solution is a must. With dozens of user-configurable options, LivePoint can be tailored to meet your specific business needs and, with hundreds of thousands of transactions per day in production as proof, the LivePoint kiosk is more than capable of meeting the demands of the most mission-critical of applications.

Lab-tested and field-proven, the LivePoint Kiosk stands ready to exceed your expectations, even in the harshest of environments.



LivePoint Kiosk

SPECIFICATIONS

Operating Power

- Input Voltage Range: +12 VDC
- Maximum Power: 35 Watts
- Operating Temp.: -30°C - 75°C @ 85% Humidity (Non-Condensing)

Digital Inputs

- Channels: 10 Digital Inputs (DI1-D10)
- Type: Open Drain/Collector; Output must be pulled high by external resistor or load
- Maximum Input Voltage: 0 VDC to +30 VDC (100 mA sink)
- Digital Thresholds: +0.8 VDC (low), +2.0 VDC (high)

Digital Outputs

- Channels: 10 Digital Outputs (DI1-D10)
- Type: Diode Clamped, Weakly Pulled Down (22KΩ to GND)
- Maximum Voltage: 0 VDC to +30 VDC (100 mA sink)
- Digital Outputs: Output is pulled low to approximately 0V (low), Output will float high to applied pull up voltage (high)

Switchable DC Power Outputs

- Channels: 2 Switchable DC Power Outputs (VO1, VO2)
- Type: Solid State Switch
- Switch Voltage: 0V to Input Supply Voltage (+24 VDC on PoE)
- Max Current: 250 mA; Outputs may be connected in parallel to increase current (MUST be switched together)

Regulated DC Power Outputs

- Channels: 2 +5VDC Outputs (+5V), 2 +12VDC Outputs (12V)
- Type: Utility; DC Pull-up Voltages; Low Current Supply
- Max. Electrical Output: +5VDC; 400 mA (max.), +12VDC; 400 mA (max.)

Enclosure Features

- Heavy-gauge stainless steel construction
- UV-resistant powder-coat finish - electrically bonded and heat cured for added durability
- Full-width hinged front access panel
- Heavy-duty stainless steel hinges and lock
- Custom-formed gaskets, made of high-grade microcellular urethane, designed to withstand extreme temperatures and to provide lasting protection from the elements
- Modular panel system accommodates a wide variety of surface-mount and recessed devices
- Tamper-resistant integrated concealed fasteners
- Available matching truck-height or walk-up-height base

Options

- Touch-sensitive Display (ActiveTouch)
- Non Touch-sensitive Display (ActiveView)
- Matching stainless-steel base with access door(s) (walk-up height or truck-height)
- Mounting Post (walk-up height or truck-height)
- Optional installed devices: Barcode Scanner, Biometrics Reader, Ticket Printer, ID Scanner, HID Prox Reader, Mag-stripe Card Reader
- SmartCharge UPS
- SureGuard Power/Surge Protection

Mechanical Relays

- Channels: 4 (N/C; C; N/O)
- Type: Form C (SPDT) Contacts
- Max. Switched Load: 50V; 400 mA; AC/DC

Audio Outputs

- Channels: 2 Loud Speakers, 1 Internal, 1 External (+V, -V; -V, +V) 1 Handset Speaker
- Type: Differential (+V, -V)
- Speaker Impedance: 4Ω to 10Ω
- Max. Loud Speaker Pwr: 6 Watts
- Max. Handset Speaker Pwr: .35 Watts

Analog Audio Inputs

- Channels: 2 Microphones, 1 Internal, 1 External, 1 Handset Microphone
- Type: Differential (+V, -V) or Non-differential (+V, GND)

Serial COM Ports

- Channels: 2
- Type: COM1: RS232 with Flow Control; Special Output: Pin 7 (+5V @ .5A) COM2: RS422/RS485

Connector Types

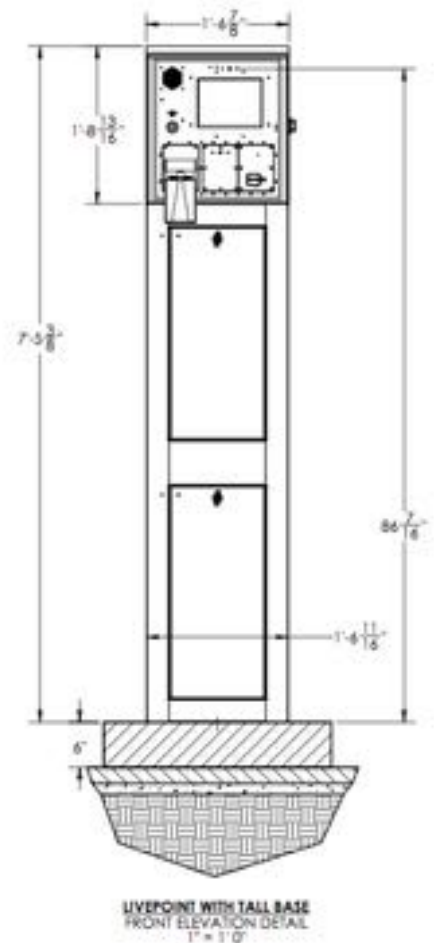
- Microphone: 3.5mm Stereo Jack
- Handset: RJ22
- DC Power Input: 2 Position, 5mm Pitch
- Digital Input, Digital Output, Relay Contacts, Speaker, Ground, Voltage Output: 12 Position, 3.81mm Pitch (x4)
- Service Port: USB Type A Female
- Ethernet: RJ45
- Serial COM Ports: DB9 Male (x2)

Display

- 10.4" (with or without touch-panel)
- Dimensions: 230mm(W) x 158.4mm(H)
- Resolution: 800 x 600 Resolution

OS/Software

- Proprietary OS
- Simplicity Enabled
- Internet Browser



Note: The LivePoint Kiosk stainless steel base (shown in the renderings above) is optional.



NASCENT Technology, LLC.

2744 Yorkmont Road
Charlotte, NC 28208 USA

Tel: 704-654-3131

Web: www.nascent.com